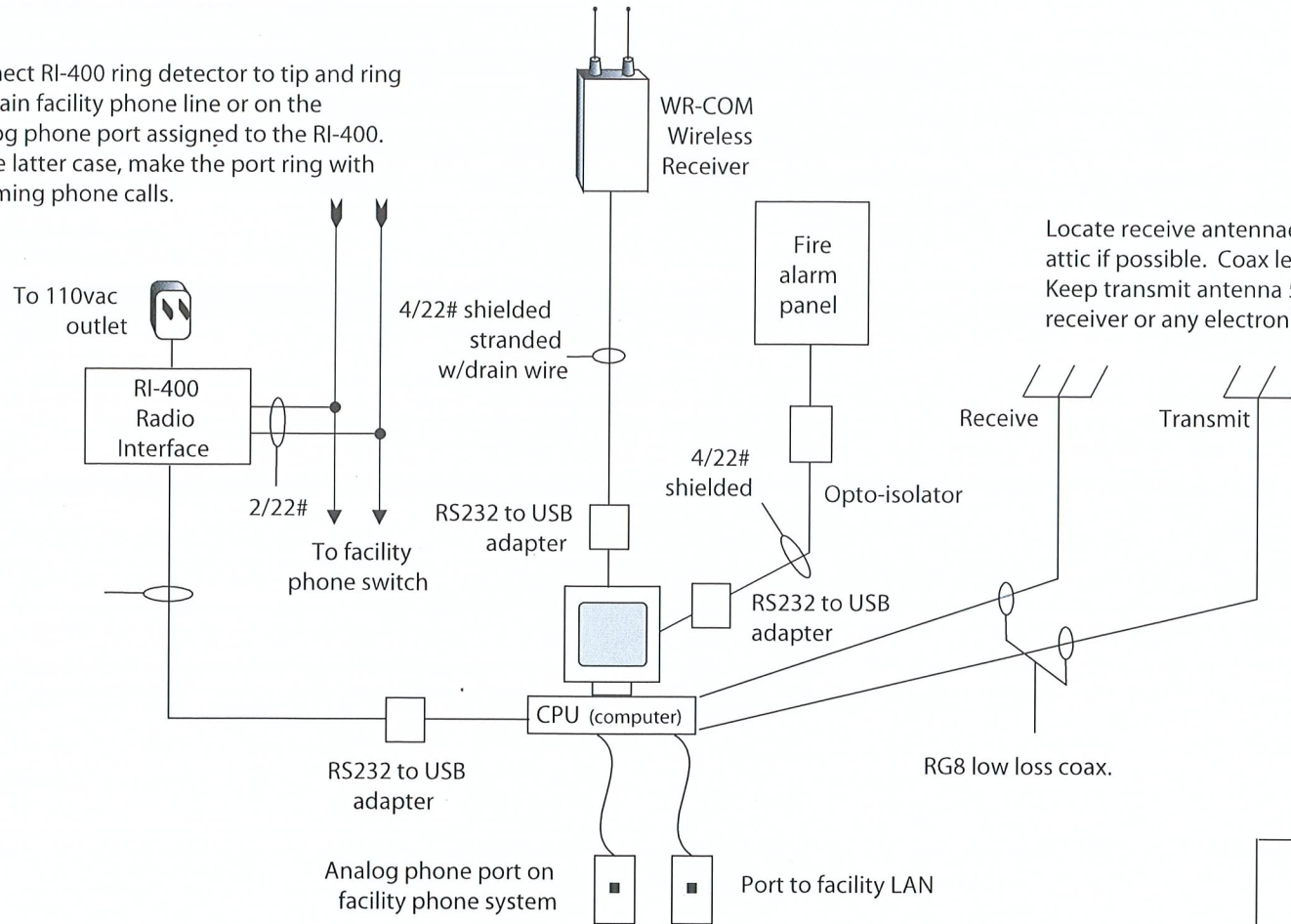


1. All shielded wire is overall foil shield, stranded with drain wire. Use no wire nuts. Use gel filled crimp connectors to make wire to wire connections.
2. Back boxes: WMS01 pull switch use single gang plaster ring (no back box).
3. The CPU (main computer) and the DCM power supply should be on the facility back up generator.
4. All shielded 4/22# do not exceed 500' without short haul modem unless otherwise indicated. If RS232 device is in a building separate from CPU, then use opto-isolation device or, if underground, fiber optic cable.

Connect RI-400 ring detector to tip and ring of a main facility phone line or on the analog phone port assigned to the RI-400. In the latter case, make the port ring with incoming phone calls.



Locate receive antennae in a high place such as the attic if possible. Coax length not to exceed 100'. Keep transmit antenna 50' from computer, wireless receiver or any electronic equipment. wiring.